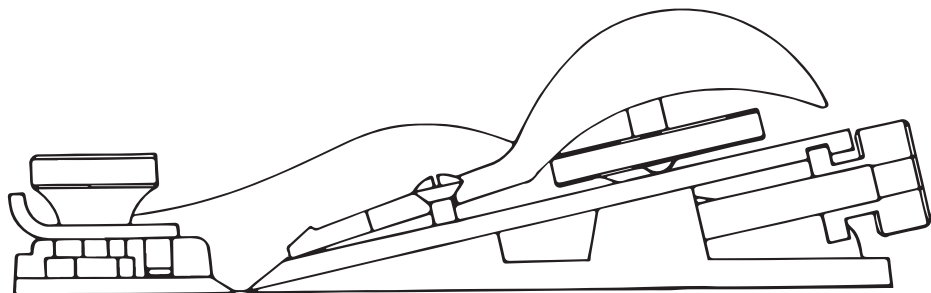
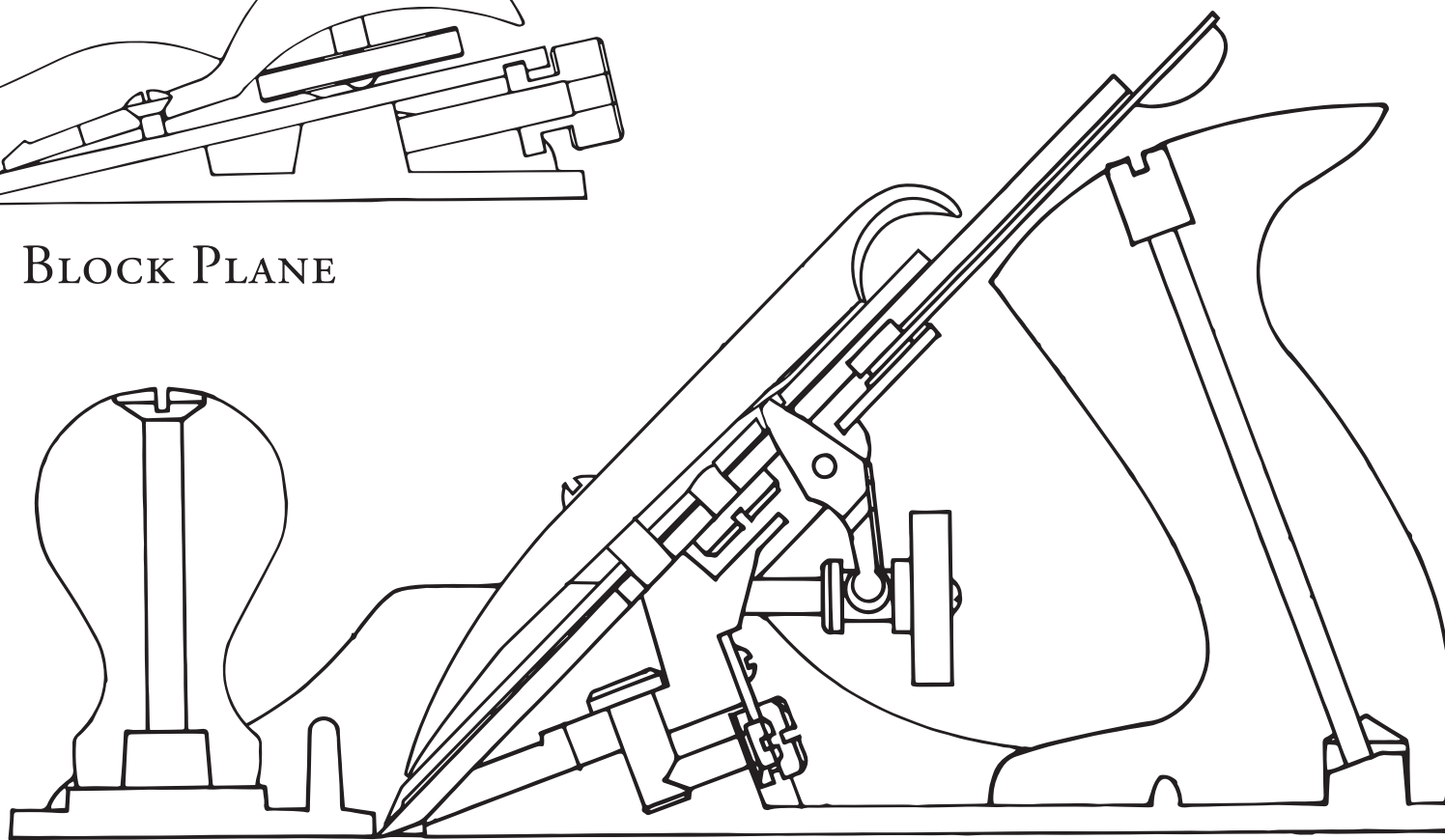


PLANES



BLOCK PLANE

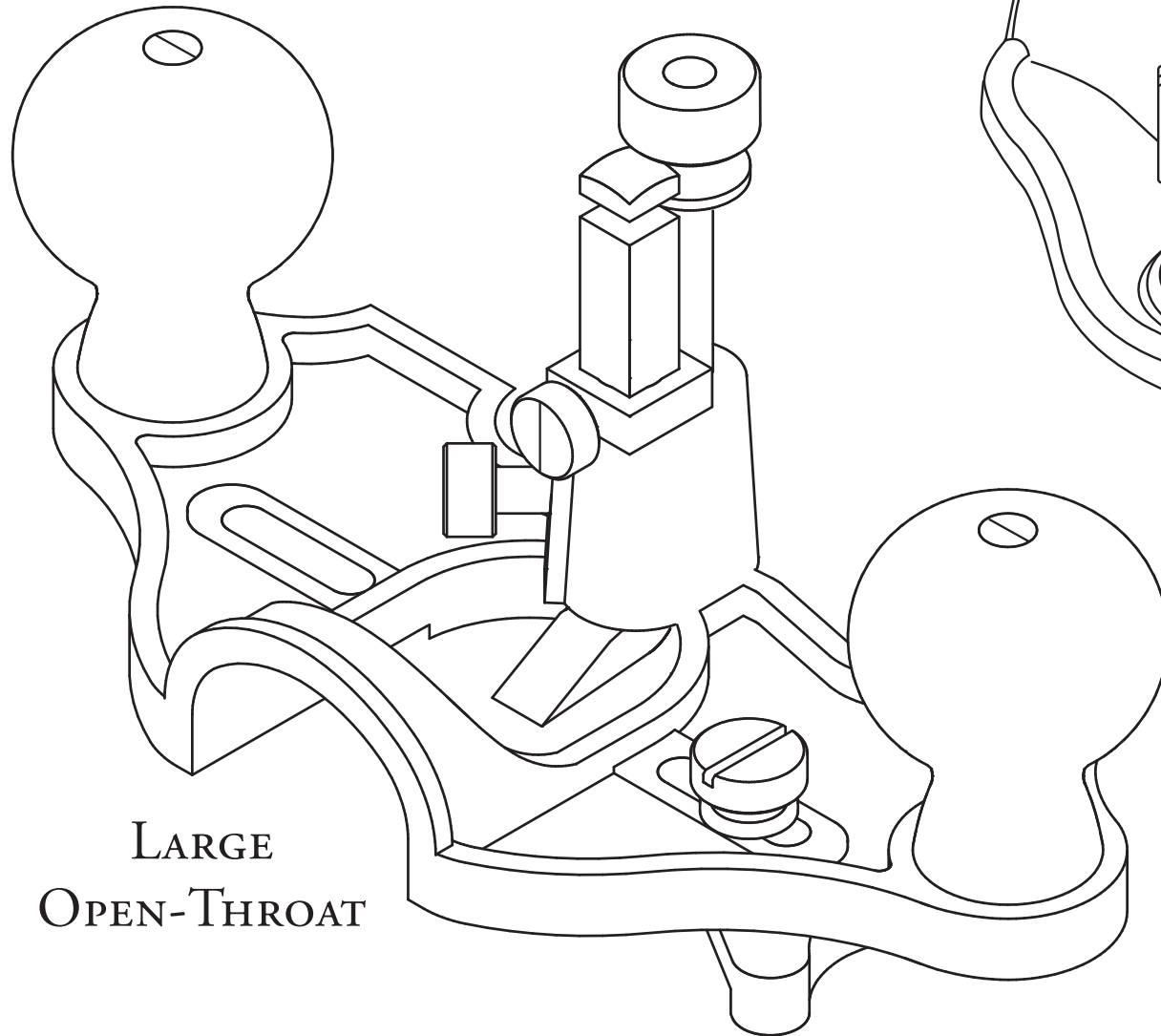


SMOOTH PLANE

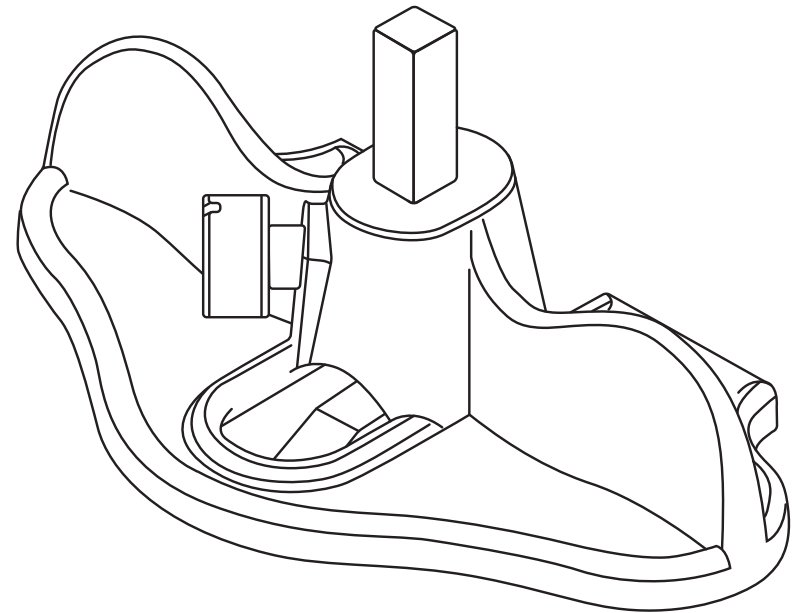
NAME:

Lie-Nielsen
TOOLWORKS[®]
INC.

ROUTER PLANES



LARGE
OPEN-THROAT

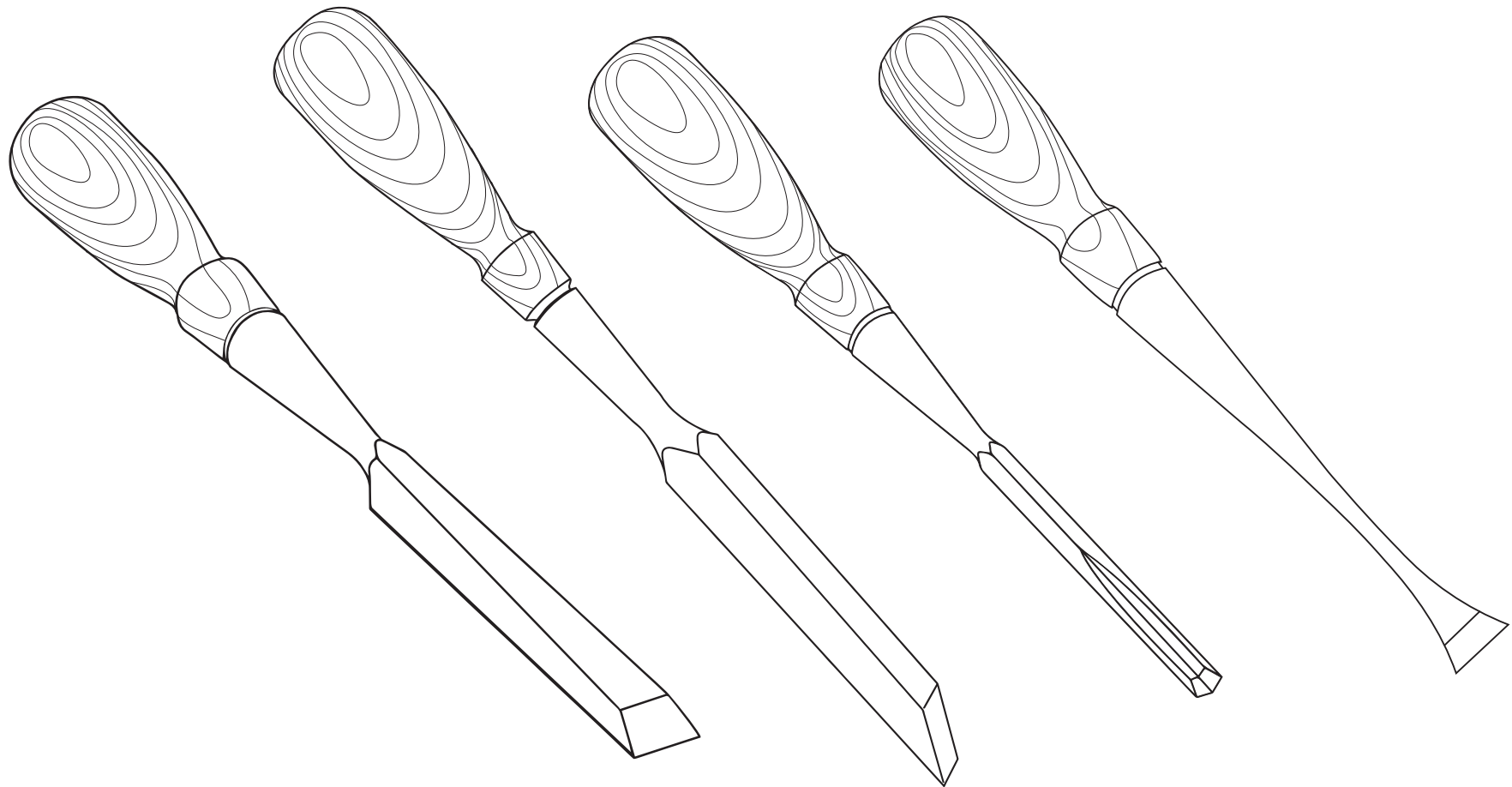


SMALL
CLOSED-THROAT

NAME:

Lie-Nielsen
TOOLWORKS[®]
INC.

CHISELS

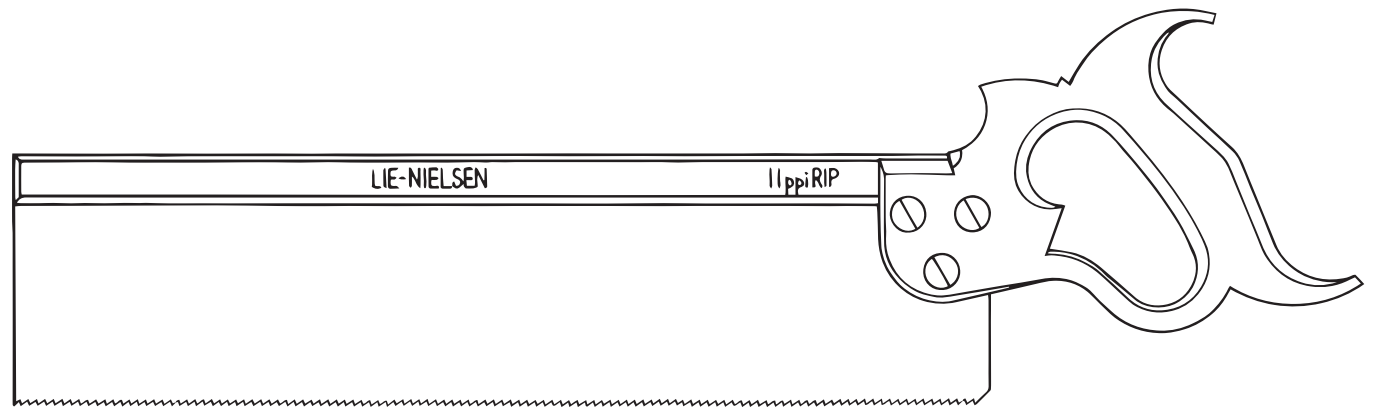


BEVEL EDGE • MORTISE • CORNER • FISHTAIL

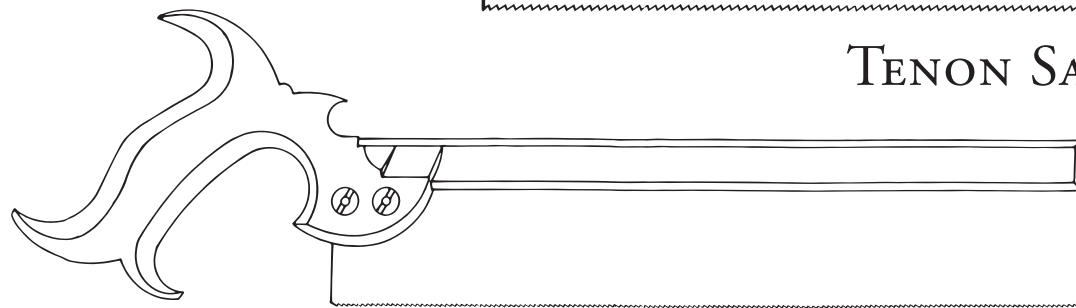
NAME:

Lie-Nielsen
TOOLWORKS
INC.

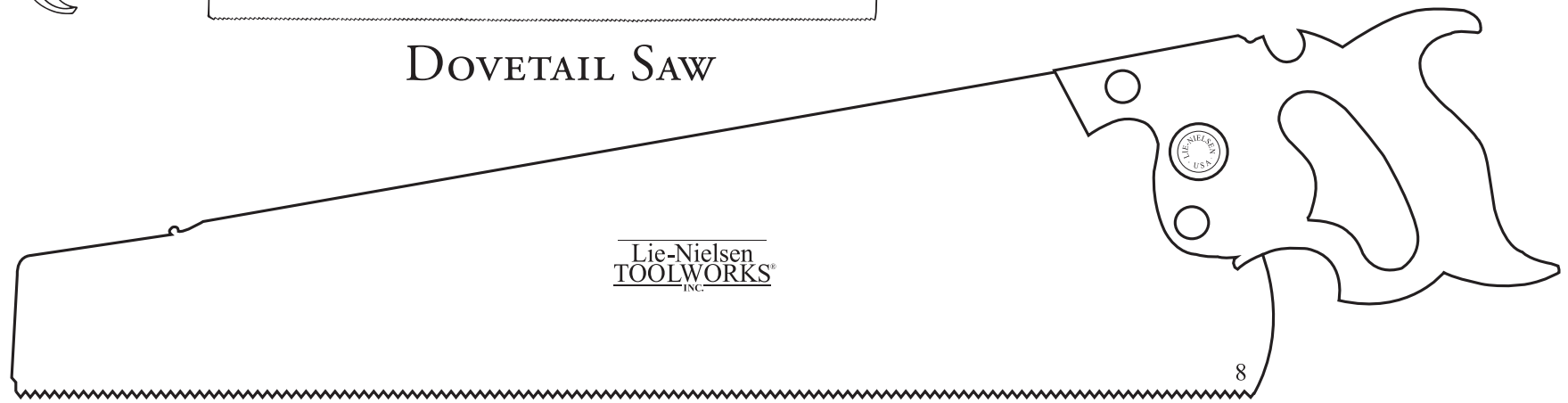
SAWS



TENON SAW



DOVETAIL SAW



PANEL SAW

NAME:

Lie-Nielsen
TOOLWORKS[®]
INC.